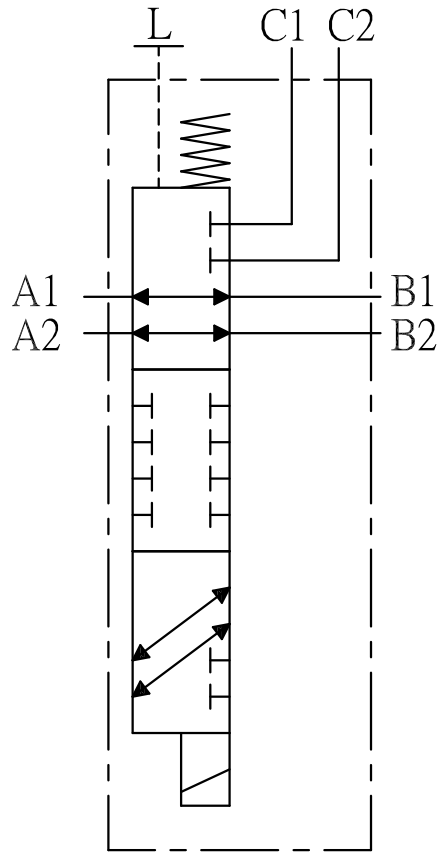
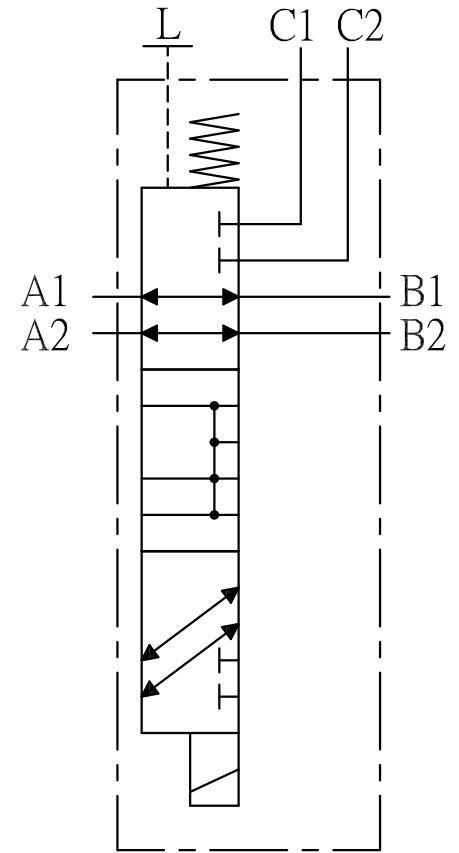


2 positions with ports
connected in transit position



2 positions with ports
closed in transit position



2 positions with ports
connected to drain in transit position